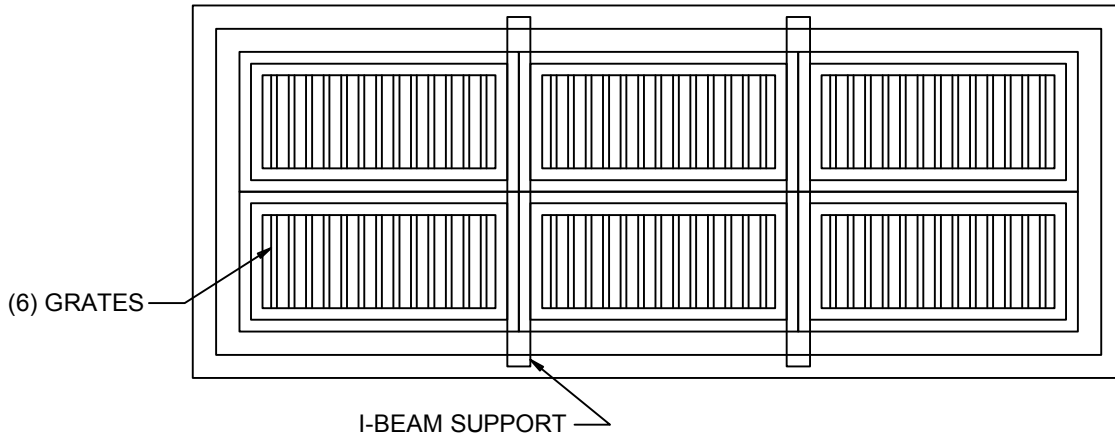
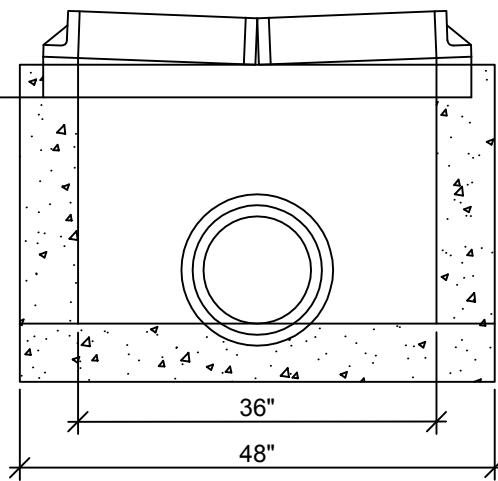
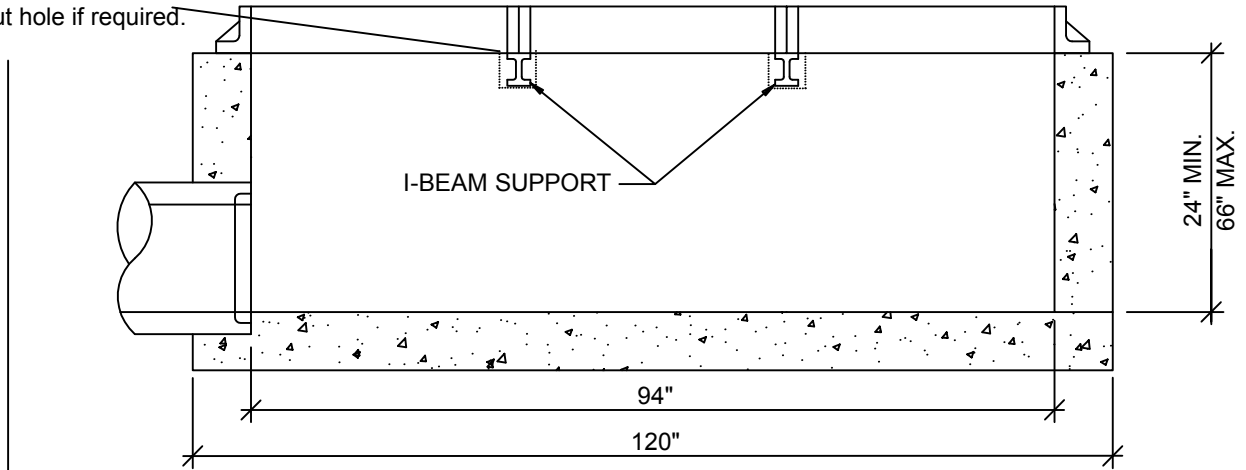


6 GRATE AREA INLET



Customer must saw cut hole if required.



SPECIFICATIONS

CONCRETE: 4000 PSI
 REINFORCEMENT
 HORIZ. AS = .39 SQ. IN/FT.
 VERT. AS = .39 SQ. IN/FT.
 OPENINGS FOR INLETS &
 OUTLETS ARE LOCATED
 AS REQUIRED PER PLANS.

GNC
Concrete Products

2100 NORTH 161ST E. AVE.
 TULSA, OKLAHOMA 74116

WWW.GNCCONCRETEPRODUCTS.COM

OFC: (918) 438-1182
 FAX: (918) 438-1185