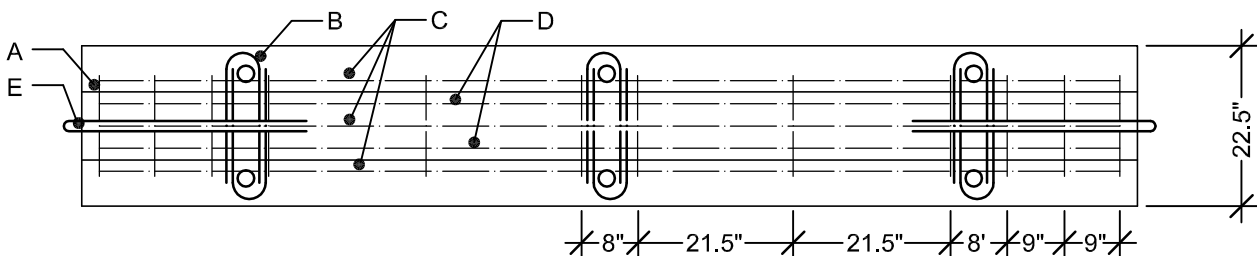
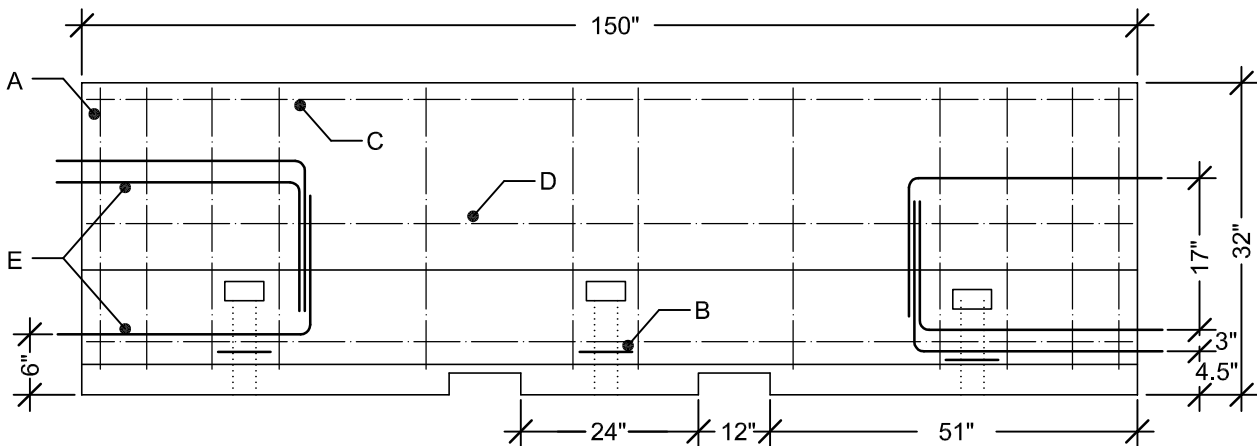
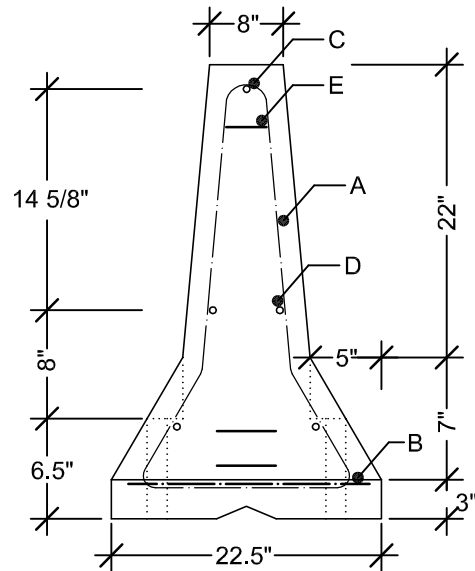


Precast Concrete Median Barrier Type F-3

NOTES & SPECIFICATIONS:

Concrete 5000 PSI
 All Edges 3/4" Chamfer
 Rebar ASTM A615M Grade 60
 Barrier Surface to be Brush Finished

Reinforcing
 "A" - #4 (12 Each)
 "B" #6 (6 Each)
 "C" #5 (3 Each)
 "D" #4 (2 Each)
 "E" #6 (Each) Smooth Bar



2100 NORTH 161ST E. AVE.
 TULSA, OKLAHOMA 74116

WWW.GNCCONCRETEPRODUCTS.COM

OFC: (918) 438-1182
 FAX: (918) 438-1185