

SMD Type 2, 2A & 2B Grate

All Steel Hot-Dip Galvanized

Grates - Overall Dimensions

Type - 2: 3'-1 1/4" x 2'-11 3/4"

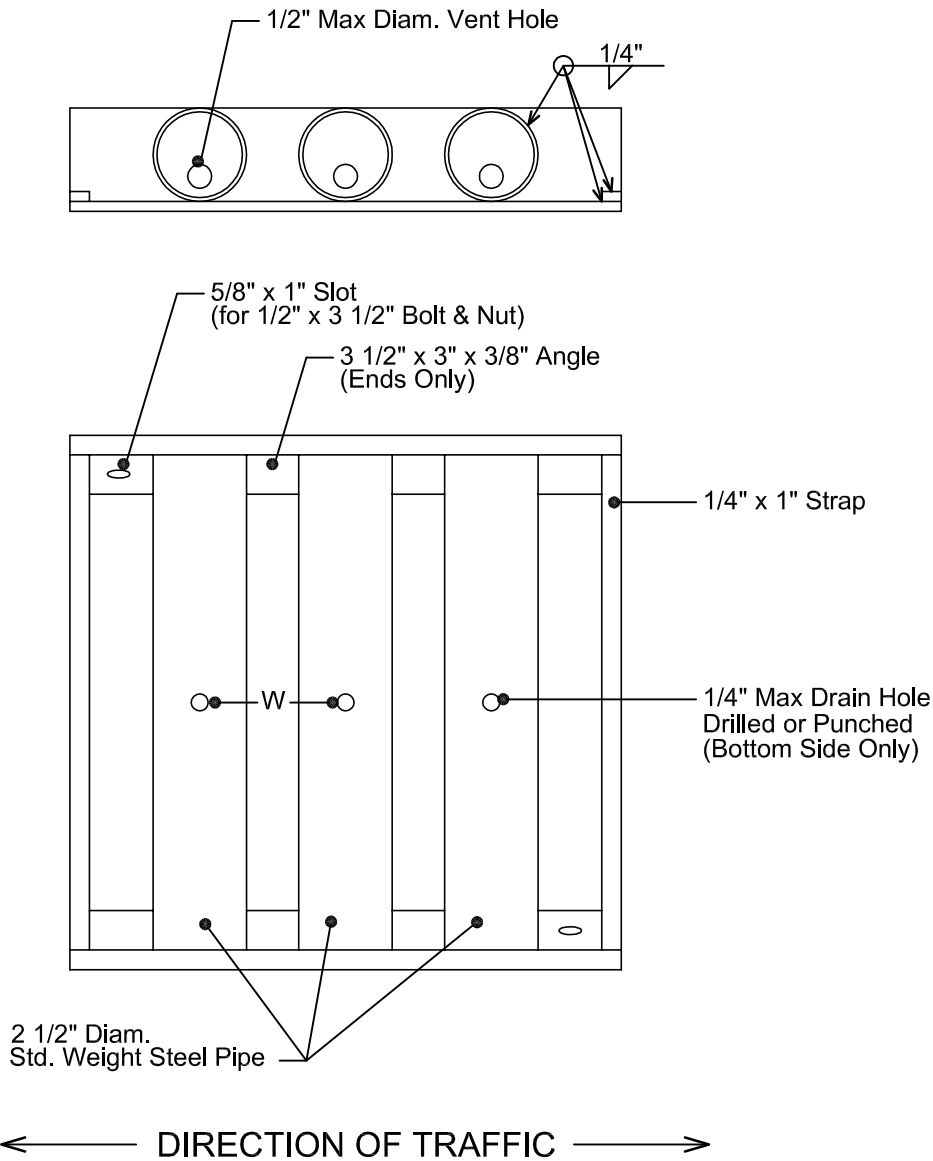
Type 2A: 3'-1 1/4" x 3'-6 1/2"

Type 2B: 4'-1 1/2" x 4'-1 1/2"

(Traffic Side First)

W = 8 1/4" for Type 2

W = 9" for Types 2A, 2B



2100 NORTH 161ST E. AVE.
TULSA, OKLAHOMA 74116 WWW.GNCCONCRETEPRODUCTS.COM

OFC: (918) 438-1182
FAX: (918) 438-1185