

Precast Concrete Standard Median Drain

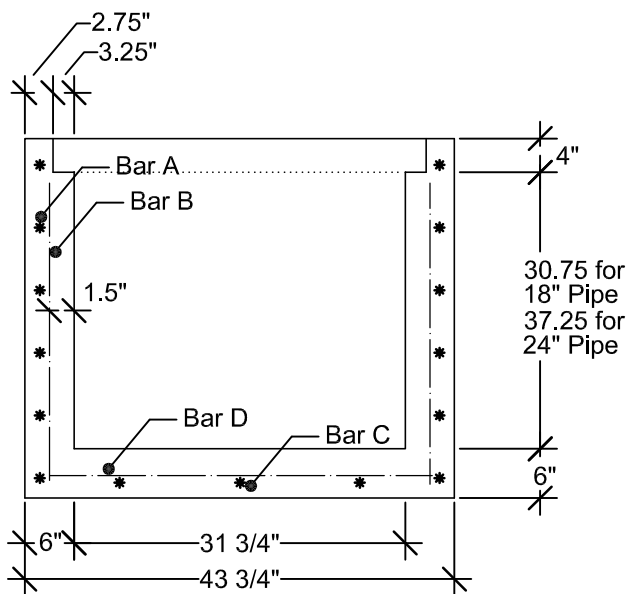
Type 2-A

Bar Diagram

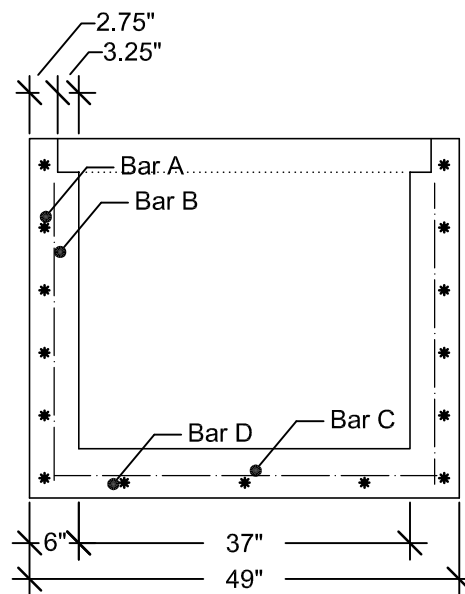
Mark	Size	#	Shape	Length	Spacing
30" RCP					
A	1/2"	7	BENT	12'-11"	6"
B	1/2"	18	BENT	4'-1"	6"
C	5/8"	7	STR	3'-3"	6"
D	5/8"	7	STR	3'-7"	6"

SPECIFICATIONS:

ASTM-478
 All steel grade 60
 Concrete 4000 PSI
 Openings for inlets & outlets
 are located as required per plans



SIDE VIEW



END VIEW

