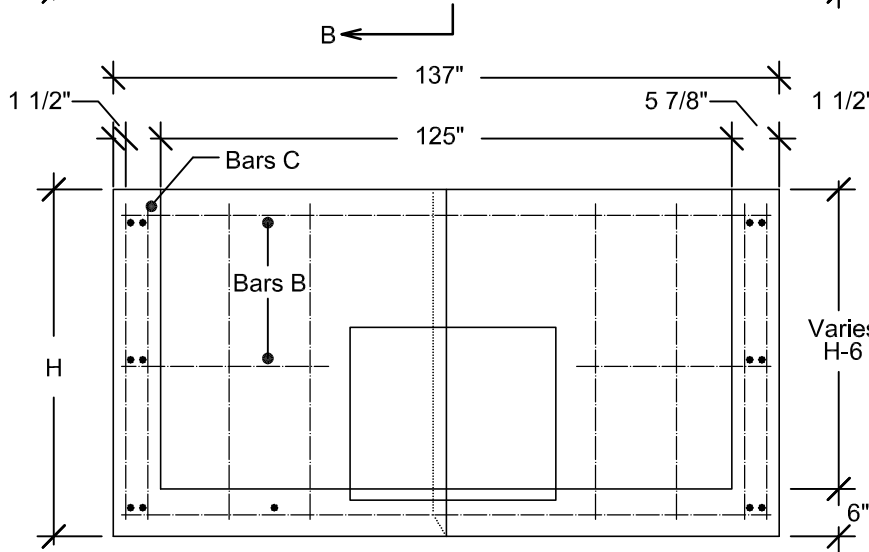
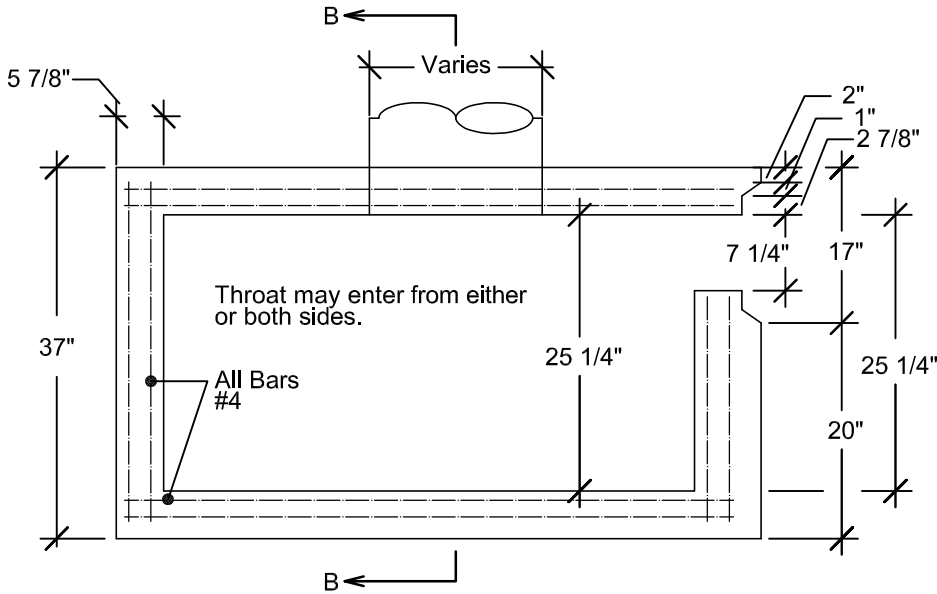


Precast Curb Inlet Design 3 (4-Grate)

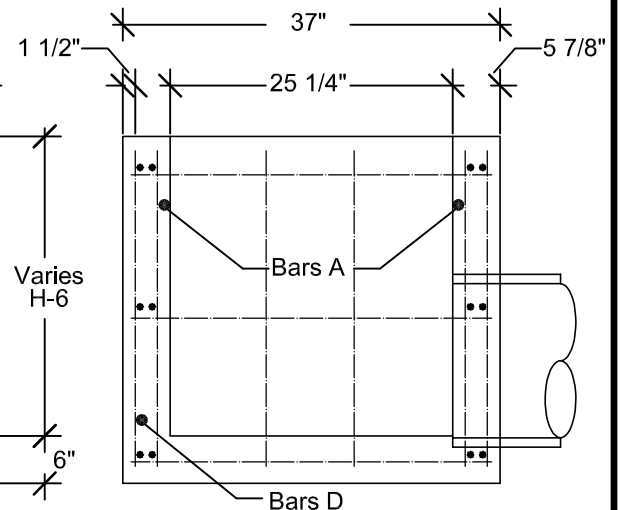
Size of Lead	H Min.		
15"	28"		
18"	32"		
24"	38"		
30"	44"		
BARS LIST			
Bars A	Bars B	Bars C	Bars D
Size	Size	Size	Size
4x(H+8")	4 x 134"	4 x 33"	4x(H-4")

SPECIFICATIONS:

Concrete: 4000 PSI
 Reinforcement:
 Horiz. As=0.39 Sq.In./Ft.
 Vert. As=0.56 Sq.In./Ft.
 Steel: Grade 60
 Openings For Inlets & Outlets
 Are Located As Required
 Per Plans



SIDE ELEVATION



SECTION BB



2100 NORTH 161ST E. AVE.
 TULSA, OKLAHOMA 74116

WWW.GNCCONCRETEPRODUCTS.COM

OFC: (918) 438-1182
 FAX: (918) 438-1185