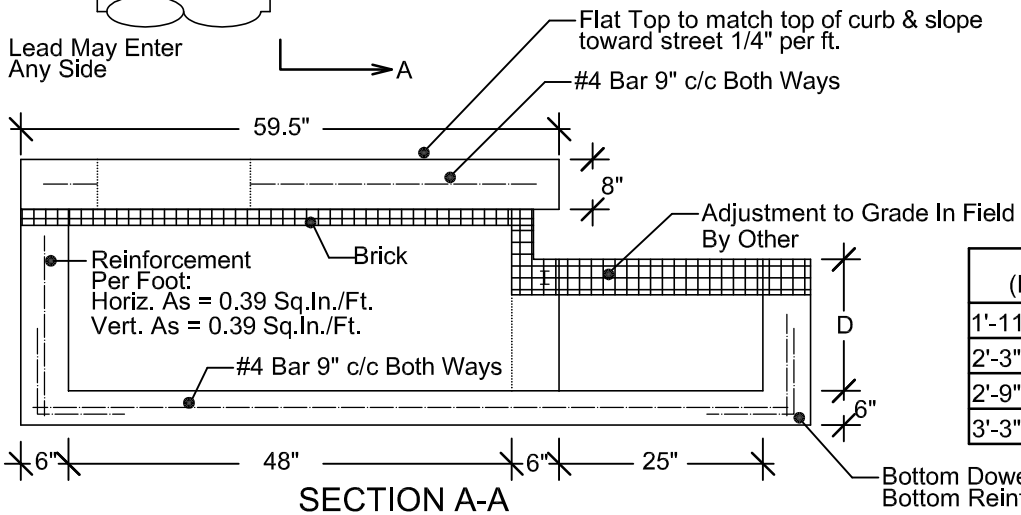
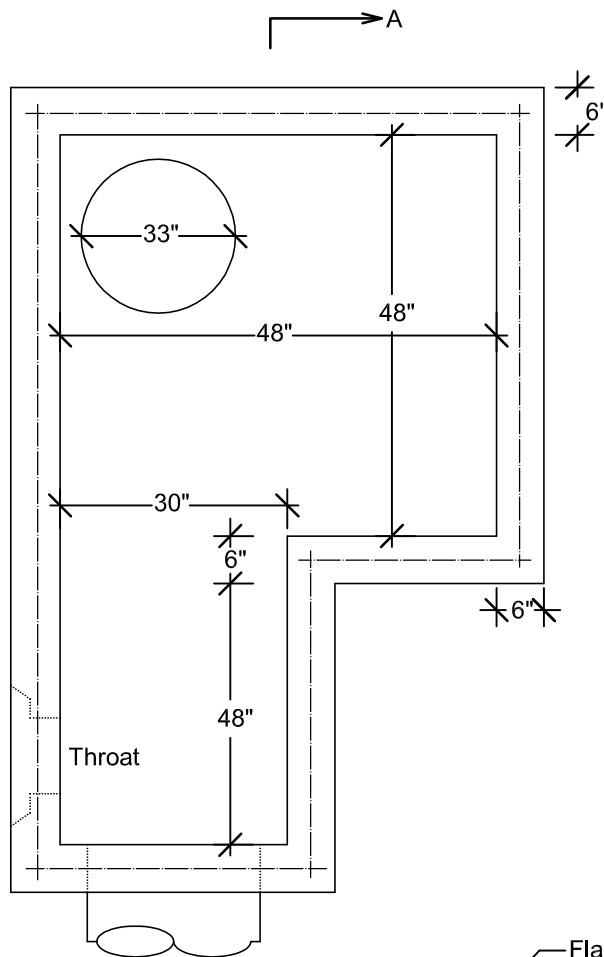


# Precast Curb Inlet with Access Manhole

DESIGN - 1 w/ 4' JUNCTION BOX

SPECIFICATIONS:

ASTM C478  
Concrete: 4000 PSI (Min.)



2100 NORTH 161ST E. AVE.  
TULSA, OKLAHOMA 74116

WWW.GNCCONCRETEPRODUCTS.COM

OFC: (918) 438-1182  
FAX: (918) 438-1185