

# Precast Curb Inlet Design 1

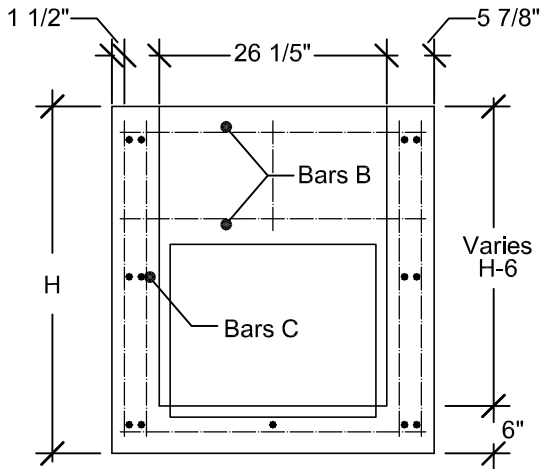
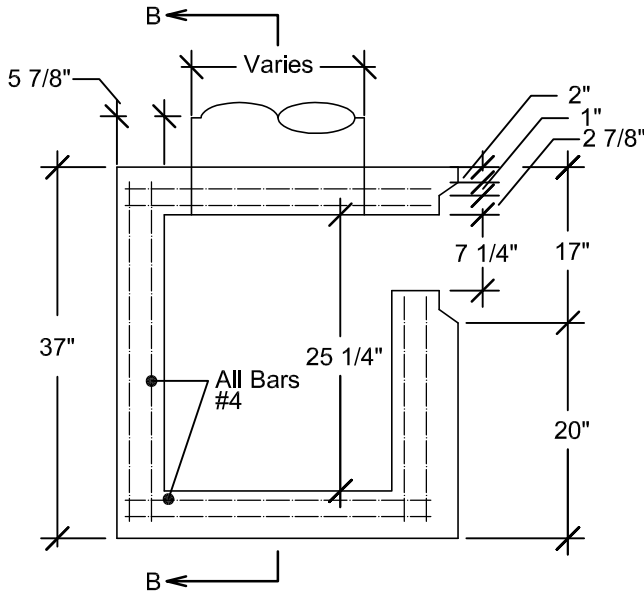
Size of Lead	H Min.
15"	28"
18"	32"
24"	38"
30"	44"

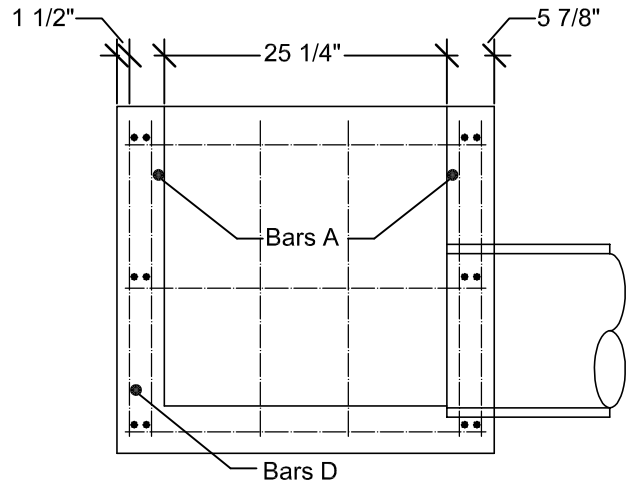
BARS LIST			
Bars A	Bars B	Bars C	Bars D
Size	Size	Size	Size
4x(H+8")	4 x 34"	4 x 33"	4x(H-4")

**SPECIFICATIONS:**

Concrete: 4000 PSI  
 Reinforcement:  
 Horiz. As=0.39 Sq.In./Ft.  
 Vert. As=0.56 Sq.In./Ft.  
 Steel: Grade 60  
 Openings For Inlets & Outlets  
 Are Located As Required  
 Per Plans



SIDE ELEVATION



SECTION BB

