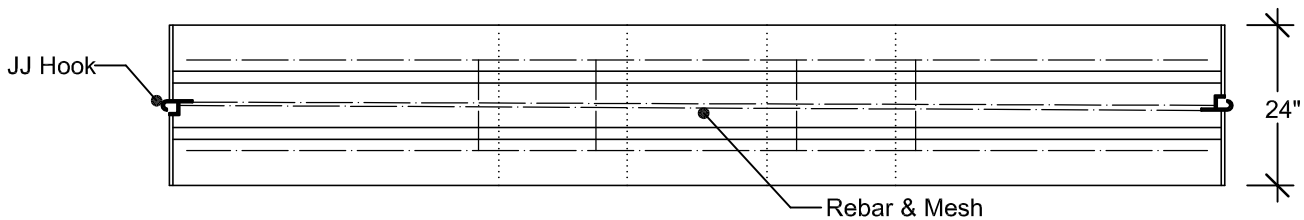
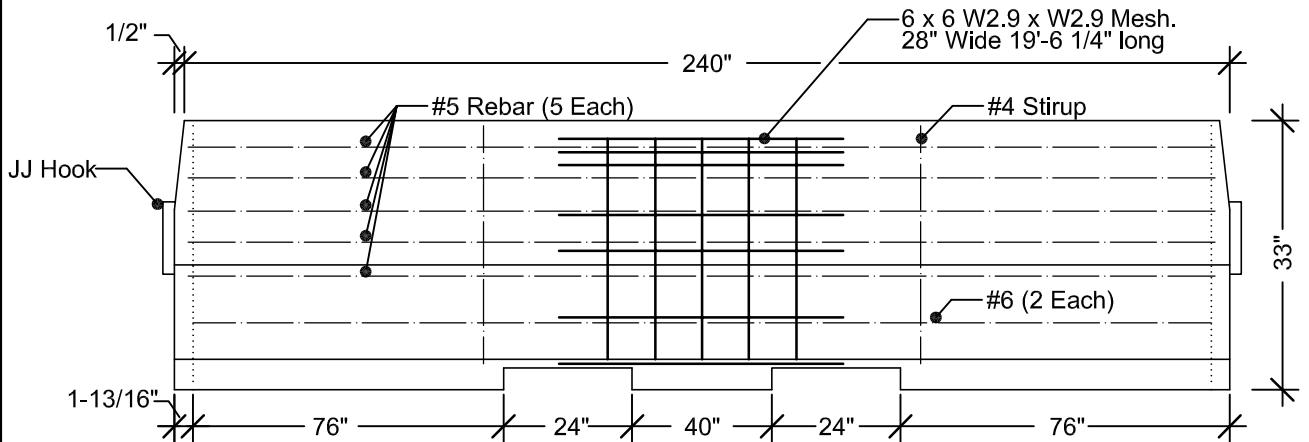
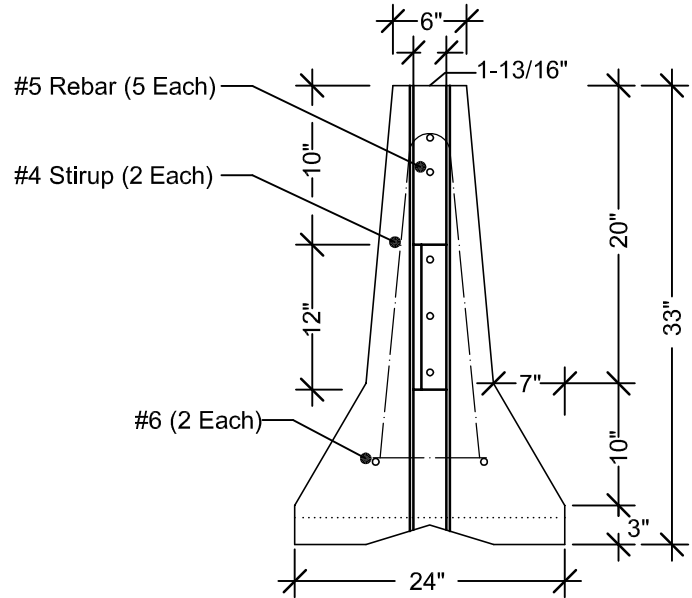


Precast Concrete Median Barrier with J-J Hooks

NOTES & SPECIFICATIONS:

Concrete 5000 PSI
 All Edges 3/4" Chamfer
 Welded Wire Mesh. ASTM A185
 Rebar ASTM A706 Grade 60
 Steel Plate ASTM A36
 Barrier Surface to be Brush Finished



2100 NORTH 161ST E. AVE.
 TULSA, OKLAHOMA 74116

WWW.GNCCONCRETEPRODUCTS.COM

OFC: (918) 438-1182
 FAX: (918) 438-1185