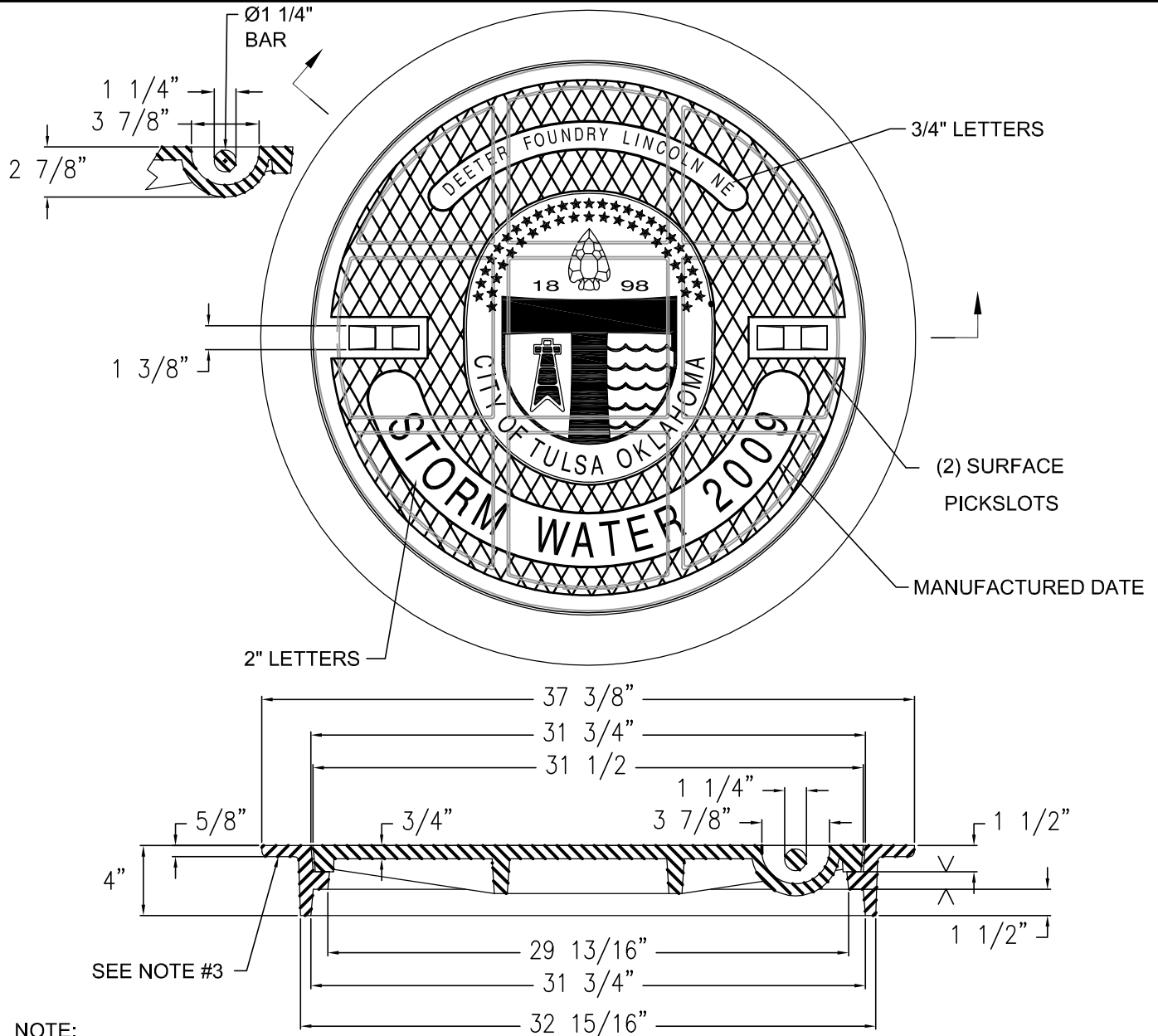


# Manhole Ring & Cover #1296-R



**NOTE:**

1. MANHOLE RING IS REVERSIBLE AND CAN BE INSTALLED WITH FLANGE UP OR DOWN.
2. TO ORDER FRAME MACHINED FLANGE UP USE ORDER # 1296-RFU. TO ORDER FRAME MACHINED FLANGE DOWN USE ORDER # 1296-RFD.
3. READS ASHTO M306, MADE IN USA & A JULIAN HEAT DATE.

MATERIAL: CAST GRAY IRON ASTM A-48, CLASS 35B	
FINISH:	NO PAINT
WEIGHT:	FRAME 125 LBS. COVER 210 LBS.



Deeter Foundry, Inc.

5945 NORTH 70th STREET  
LINCOLN, NEBRASKA 68529

# 1296-R-TUL-STM REVERSIBLE MANHOLE RING & COVER

Date: 05 MAR 02	Drawn by: KRH	Scale:
DRAWING NO. 02-1296-R-TUL-STM	Revised by:	Date:



2100 NORTH 161ST E. AVE.  
TULSA, OKLAHOMA 74116 WWW.GNCCONCRETEPRODUCTS.COM

OFC: (918) 438-1182  
FAX: (918) 438-1185