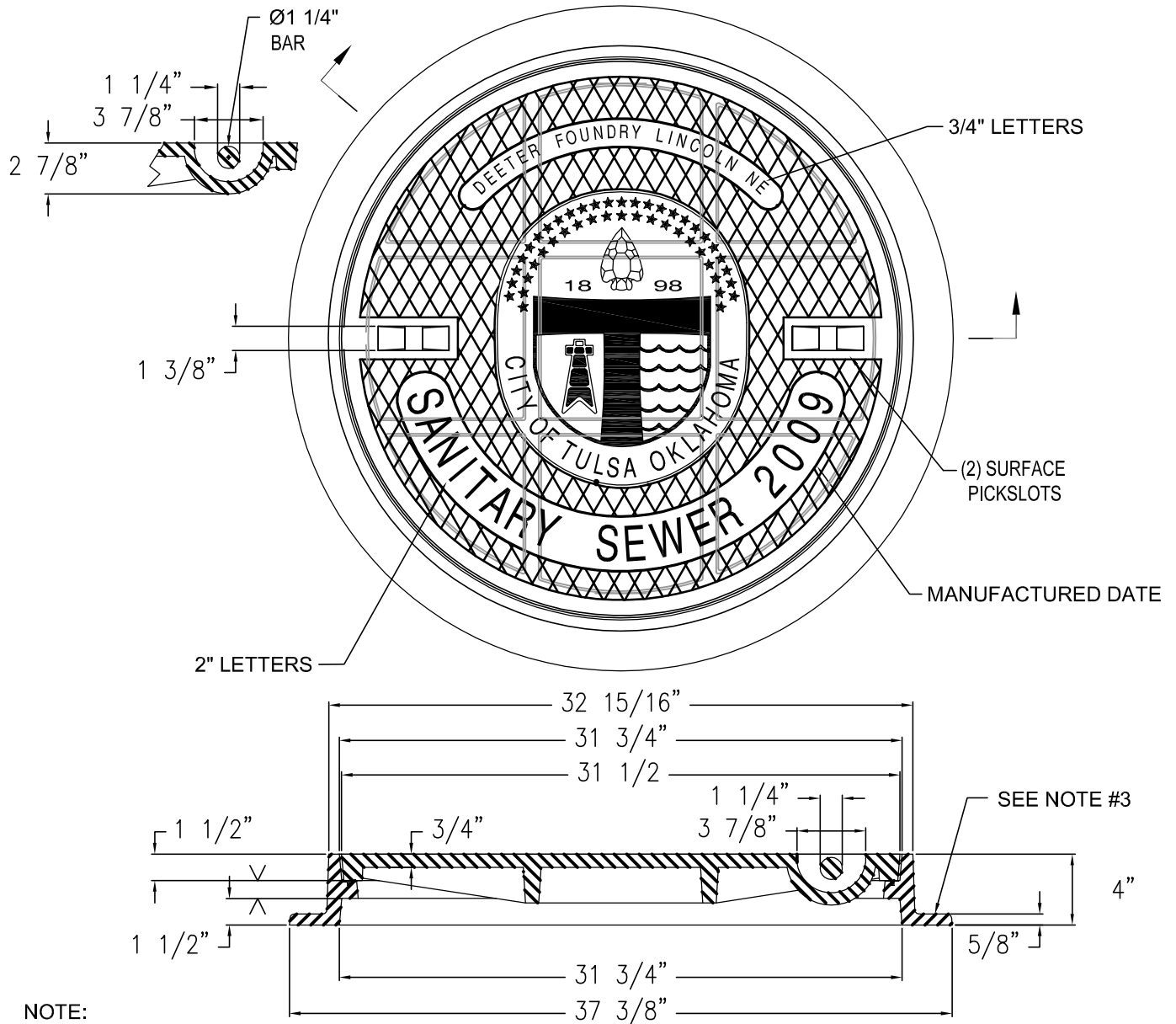


# Manhole Ring & Cover #1296-R



**NOTE:**

1. MANHOLE RING IS REVERSIBLE AND CAN BE INSTALLED WITH FLANGE UP OR DOWN.
2. TO ORDER FRAME MACHINED FLANGE UP USE ORDER # 1296-RFU. TO ORDER FRAME MACHINED FLANGE DOWN USE ORDER # 1296-RFD.
3. READS ASHTO M306, MADE IN USA & A JULIAN HEAT DATE.
4. FURNISHED WITH A T-GASKET.

<b>MATERIAL:</b> CAST GRAY IRON ASTM A-48, CLASS 35B	
<b>FINISH:</b> NO PAINT	
<b>WEIGHT:</b>	FRAME 125 LBS. COVER 210 LBS.

**Deeter Foundry, Inc.**

5945 NORTH 70th STREET  
LINCOLN, NEBRASKA 68529

---

# 1296-R-TUL-SAN REVERSIBLE MANHOLE RING & COVER

<b>Date:</b> 05 MAR 02	<b>Drawn by:</b> KRH	<b>Scale:</b>
<b>DRAWING NO.</b> 02-1296-R-TUL-SAN	<b>Revised by:</b>	<b>Date:</b>



2100 NORTH 161ST E. AVE.  
TULSA, OKLAHOMA 74116 WWW.GNCCONCRETEPRODUCTS.COM

OFC: (918) 438-1182  
FAX: (918) 438-1185