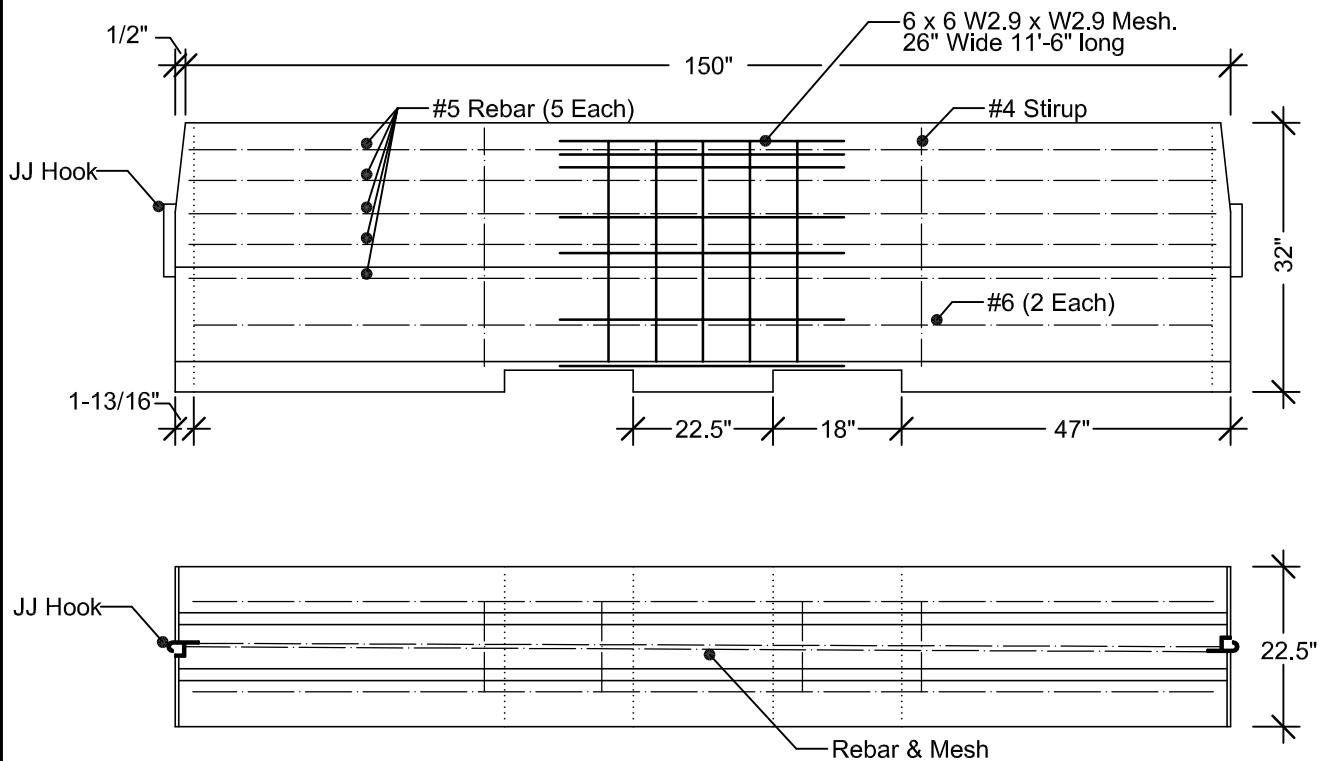
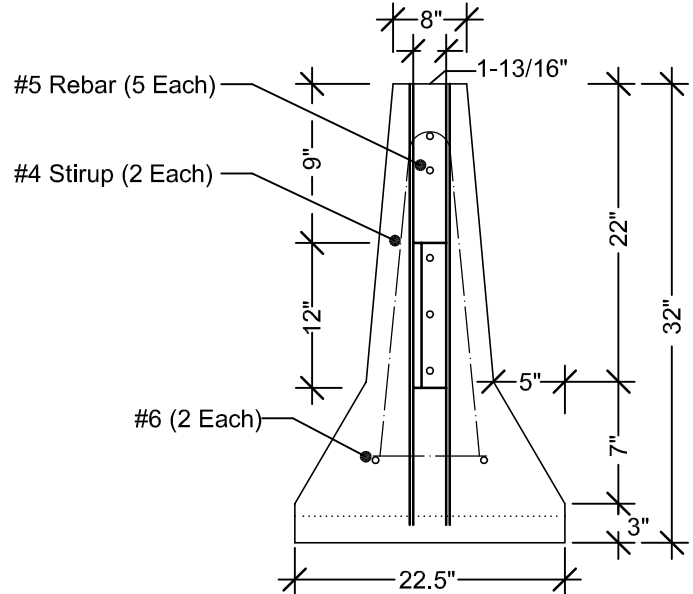


# Precast Concrete Median Barrier with J-J Hooks

## NOTES & SPECIFICATIONS:

Concrete 5000 PSI  
 All Edges 3/4" Chamfer  
 Welded Wire Mesh. ASTM A185  
 Rebar ASTM A706 Grade 60  
 Steel Plate ASTM A36  
 Barrier Surface to be Brush Finished  
 Steel Reinforcing = 11.76 Lbs/LF



2100 NORTH 161ST E. AVE.  
 TULSA, OKLAHOMA 74116

WWW.GNCCONCRETEPRODUCTS.COM

OFC: (918) 438-1182  
 FAX: (918) 438-1185