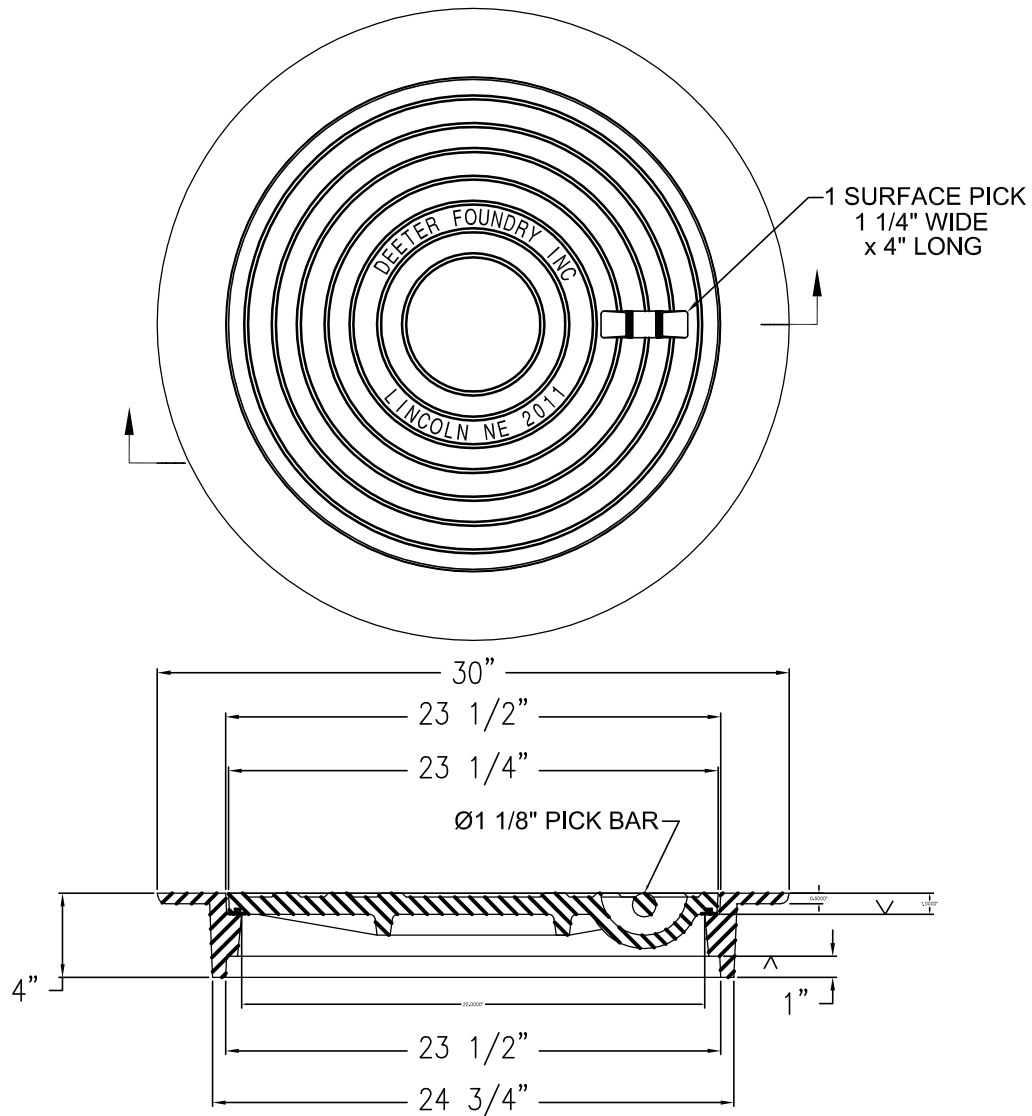



Manhole Ring & Cover #1155



NOTE:

1. FURNISHED WITH MACHINED HORIZONTAL BEARING SURFACES.
2. CAN BE INSTALLED FLANGE UP OR DOWN.
3. FURNISHED WITH A T-GASKET.

MATERIAL: CAST GRAY IRON ASTM A-48, CLASS 35B
FINISH: NO PAINT
WEIGHT: 245 LBS.

	Deeter Foundry, Inc.		
	5945 NORTH 70th STREET LINCOLN, NEBRASKA 68529		
# 1155		MANHOLE RING AND COVER	
Date: 19 NOV 93	Drawn by: RON	Scale: 1/8	
DRAWING NO. 01-1155-01	Revised by: KRH	Date: 17 OCT 11	



2100 NORTH 161ST E. AVE.
TULSA, OKLAHOMA 74116 WWW.GNCCONCRETEPRODUCTS.COM

OFC: (918) 438-1182
FAX: (918) 438-1185